

# TUB FILLER WITH DIVERTER

Cat. No.  
4012



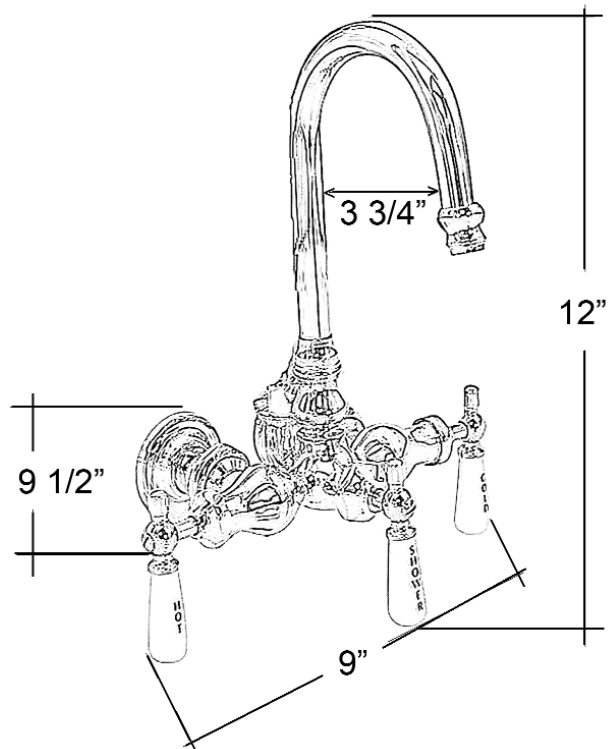
L: 12"  
W: 9"  
D: 9-1/2"

## Features:

- ▶ Code gooseneck spout
- ▶ 1/4 Turn ceramic disc cartridges
- ▶ 3-3/8" Centers
- ▶ Centers can be adjusted out to 9" with use of part #4501 (Swivel arms)
- ▶ 3/4" Nipples
- ▶ Flow rate is 3.34 GPM
- ▶ Flow rate for shower head is 2.5 GPM
- ▶ Includes 62" riser
- ▶ Acrylic tub use only (Part# 4013 for Cast Iron Tub)
- ▶ Includes plastic shower head
- ▶ **4195WS** Wall support to be purchased separately
- ▶ To be used with double offset supplies #5576

## Finishes:

**CP** Polished Chrome  
**BP** Polished Brass



Dimensions are nominal and may vary. Dimensions and specifications subject to change without notice.